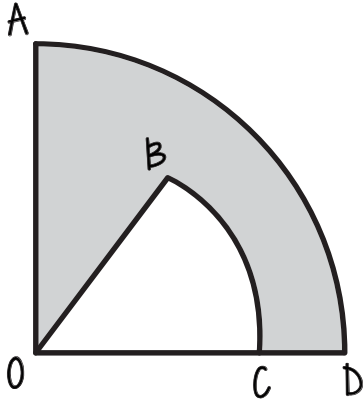


UJIAN DIAGNOSTIK

Kira perimeter dan luas kawasan berlorek bagi setiap yang berikut.

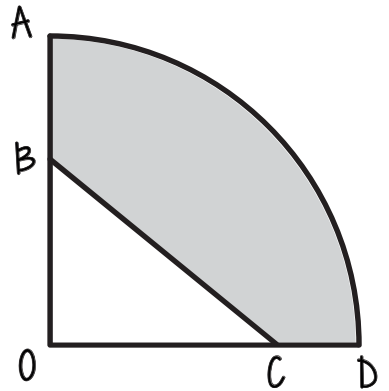
1.

$$\begin{aligned} OA &= 9 \text{ cm} \\ OC &= 7 \text{ cm} \\ \angle AOD &= 90^\circ \\ \angle BOC &= 65^\circ \end{aligned}$$



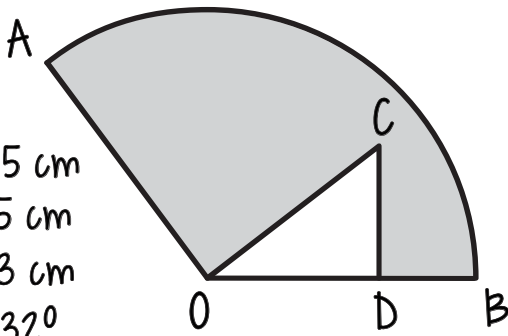
2.

$$\begin{aligned} OA &= 13 \text{ cm} \\ OB &= 9 \text{ cm} \\ CD &= 3 \text{ cm} \\ \angle AOD &= 90^\circ \end{aligned}$$



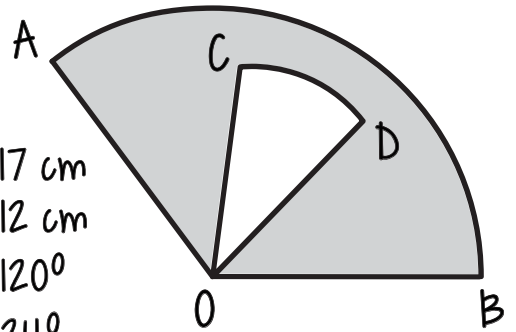
3.

$$\begin{aligned} OA &= 15 \text{ cm} \\ CD &= 5 \text{ cm} \\ DB &= 3 \text{ cm} \\ \angle AOB &= 132^\circ \\ \angle ODC &= 90^\circ \end{aligned}$$

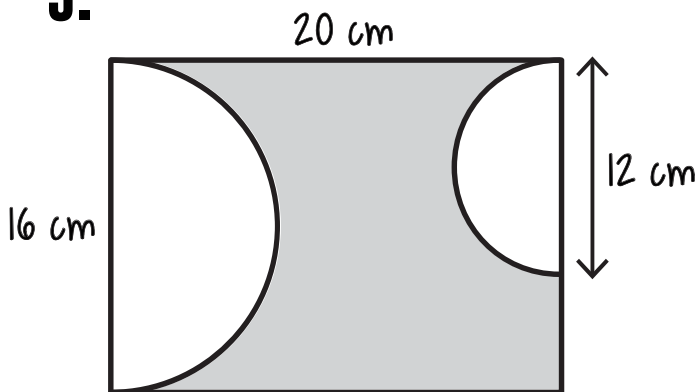


4.

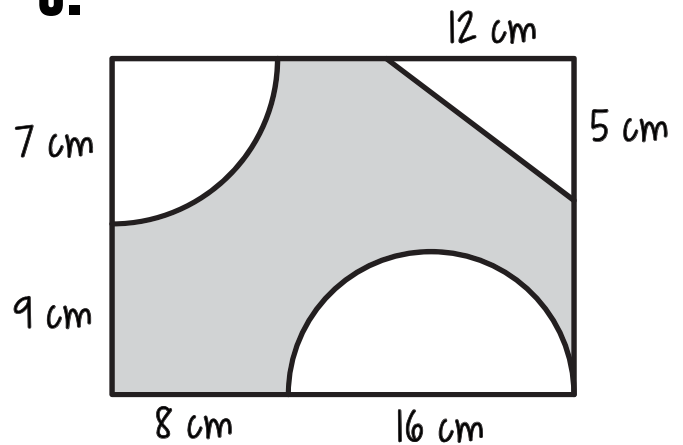
$$\begin{aligned} OA &= 17 \text{ cm} \\ OC &= 12 \text{ cm} \\ \angle AOB &= 120^\circ \\ \angle COD &= 24^\circ \end{aligned}$$



5.



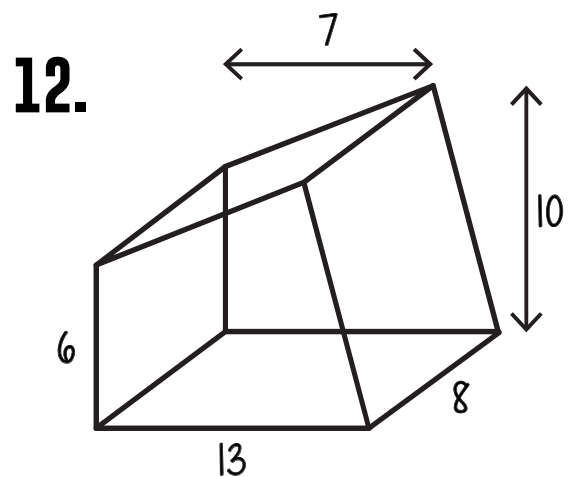
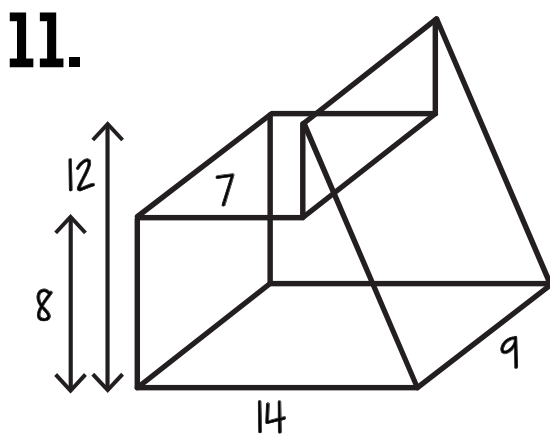
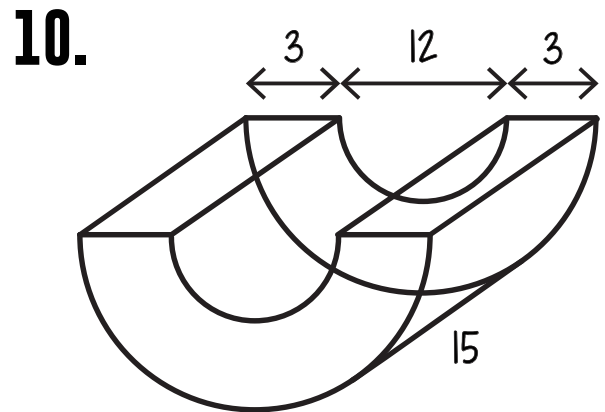
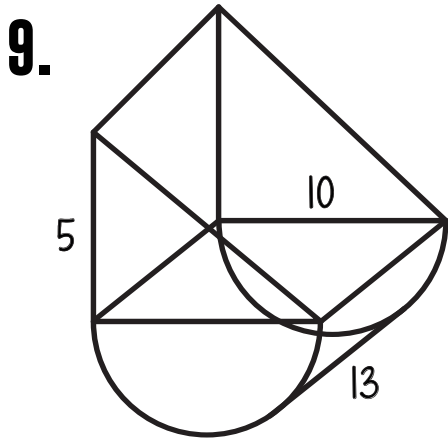
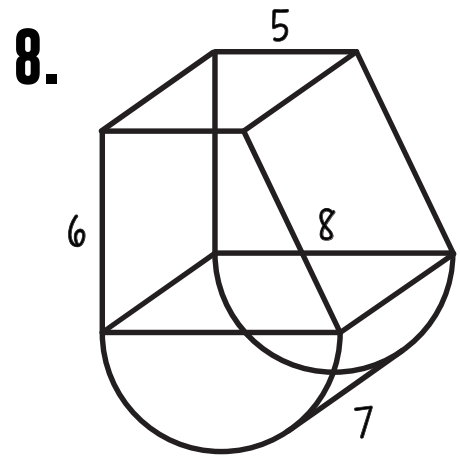
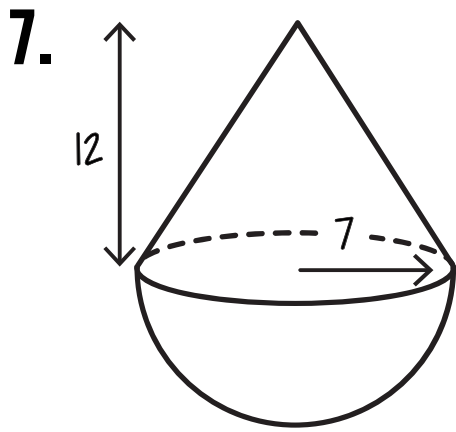
6.



$$\begin{aligned} \text{Luas bulatan} \\ &= \pi r^2 \end{aligned}$$

$$\begin{aligned} \text{Lilitan bulatan} \\ &= 2\pi r \end{aligned}$$

Kira isipadu keseluruhan bagi setiap yang berikut.
(Semua panjang adalah dalam cm)



Isipadu sfera
 $= \frac{4}{3} \pi r^3$

Isipadu silinder
 $= \pi r^2 h$

Isipadu kon
 $= \frac{1}{3} \pi r^2 h$